

Clippard

MAR-1 Series Miniature Pressure Regulators

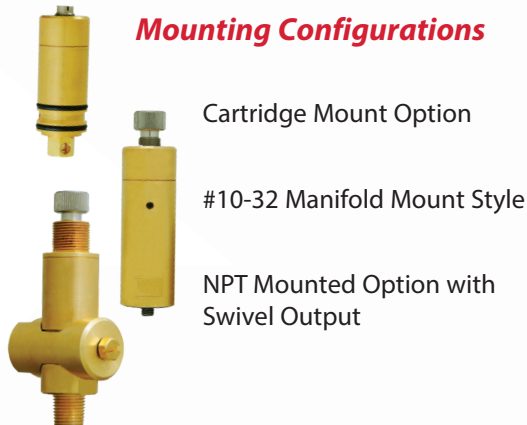
Relieving & Non-Relieving Versions



When Clippard introduced a miniature regulator in 1962, the MAR-1 became very popular as a **simple, robust, and cost-effective** regulator in a small package with **exceptionally long life**. As regulator applications continue to increase, Clippard is meeting the demand with a variety of new models, options and improvements.

Regulators are offered in either relieving or non-relieving versions. The relieving design maintains a constant pressure output even when downstream conditions change, while non-relieving regulators do not automatically compensate for changes in downstream flow or pressure. There is no vent to atmosphere, as in a relieving type regulator, and the output pressure can increase due to a downstream event. Non-relieving versions can accommodate compatible liquid applications.

Mounting Configurations



Cartridge Mount Option

#10-32 Manifold Mount Style

NPT Mounted Option with Swivel Output

Adjustment Styles



Standard
Knurled
Knob

Screwdriver
Slot

Large
Plastic
Knob

SPECIFICATIONS

Medium	Air, Water* or Oil*
Input Pressure	300 psig max.
Air Flow	3 scfm @ 50 psig; 5 scfm @ 100 psig
Operating Temperature	32 to 230°F
Mounting	#15/32-32 thread. Nuts and lockwashers furnished
Material	Brass body, Nitrile seals (FKM optional "-V") stainless steel stem and spring
Adjustment	By means of a knob with micro-adjustment (40 pitch thread). Screwdriver slot and plastic adjustment versions also available. 1C and 1CP Models: As plunger is depressed, pressure increases proportionally to the travel; when plunger is released the input is closed and the output pressure is exhausted to atmosphere. 7/32" plunger travel

* Non-Relieving models only

ORDER INFORMATION

Inlet	Outlet	Base Part No.
#10-32 Female	#10-32 Female	MAR-1
1/8" NPT Male	#10-32 Female	MAR-1P
#10-32 Male	Manifold	MAR-1M
#10-32 Female	#10-32 Female	MAR-1C
1/8" NPT Male	#10-32 Female	MAR-1CP
Cartridge	Cartridge	MAR-1R
1/8" NPT Male	1/8" NPT Female	MAR-1BP

FKM Seals and Electroless Nickel Plating also available

Example Part No.: MAR-1BPF-5

Adjustment
(blank) Knurled Knob
K Plastic Knob
F Screwdriver Slot
C Plunger Style*

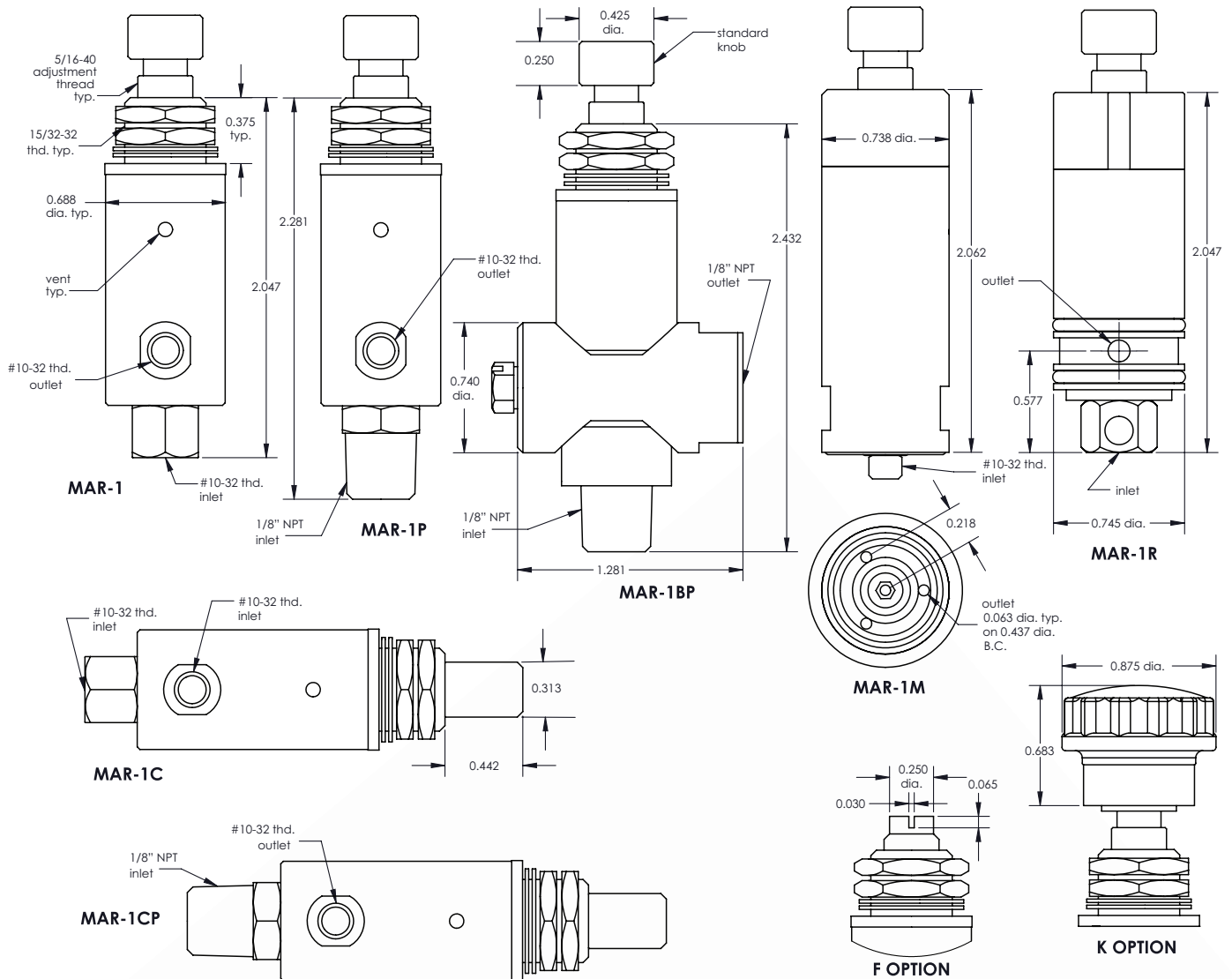
* Available in relieving version for MAR-1 and MAR-1P only

Type
(blank) Relieving
NR Non-Relieving

NR not available on C and CP models

Max. Pressure Range
(blank) 10 - 100 psig
-2 10 - 20 psig
-3 10 - 30 psig
-4 10 - 40 psig
-5 10 - 50 psig
-6 10 - 60 psig
-7 10 - 70 psig





CUSTOMer solutions

Custom Regulators

Special Configurations & Assemblies

If you need a product that fits your application perfectly, Clippard has the capability to design or modify one of its products to suit your exact needs. We understand that a standard catalog product may be close but not be exactly what you need. We have the ability and capacity to give you what you want. Our Engineering Department has designed tens of thousands of special variations, modifications or completely special regulators and other products.



- Robust, Compact & Reliable
- Multiple Medias
- Manifold & Cartridge Style Mounting
- Preset to Pressure
- Pre-Assembled & Tested

Professionally Distributed by:

Call today with your unique application!

877-245-6247 | clippard.com

CLIPPARD INSTRUMENT LABORATORY, INC. • ISO 9001 • TDS 11.14, V2
For warranty and disclaimer information, visit clippard.com/warranty